

TECHNICAL SPECIFICATIONS



ARTIK 2

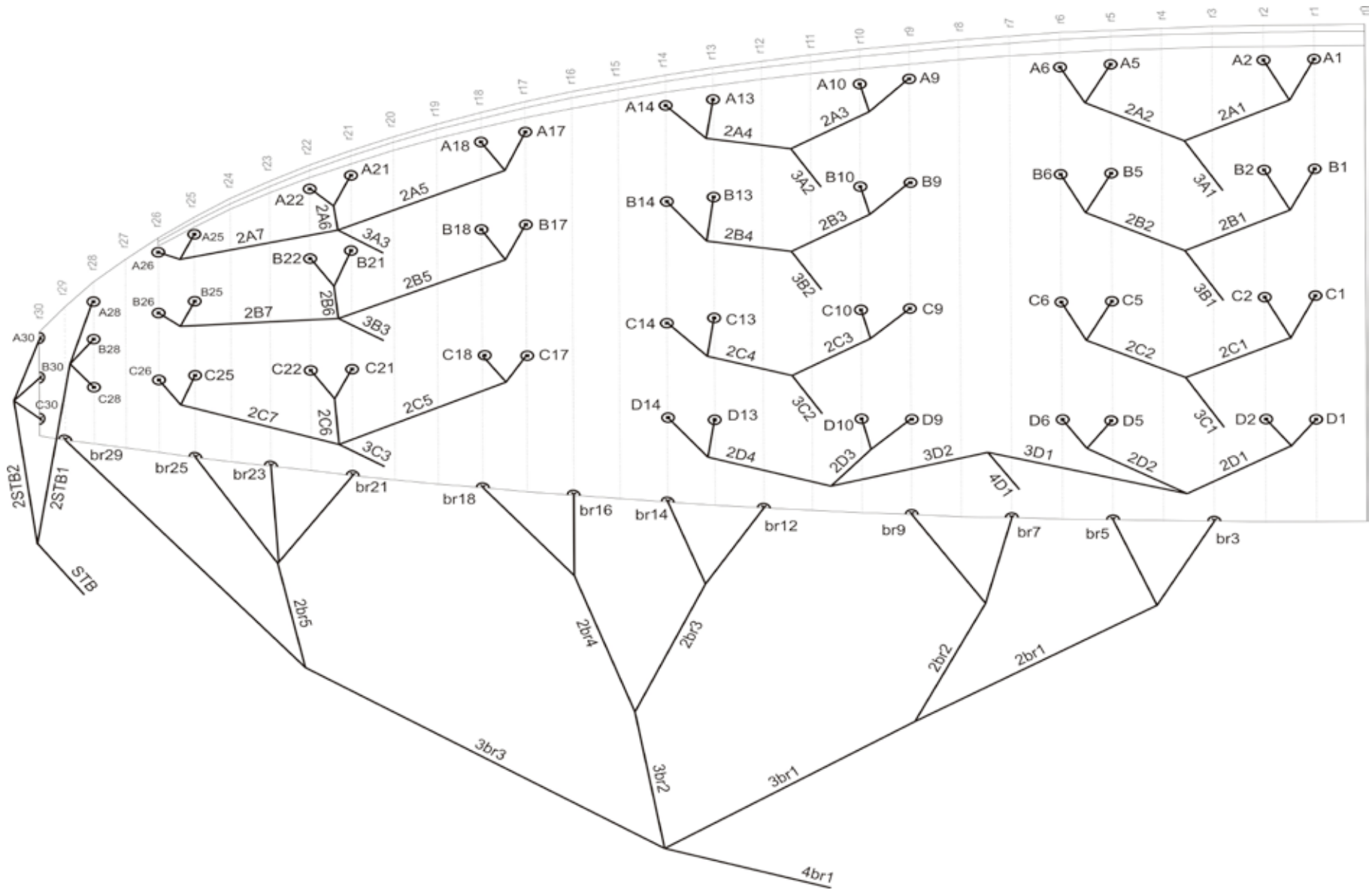
TECHNICAL DATA

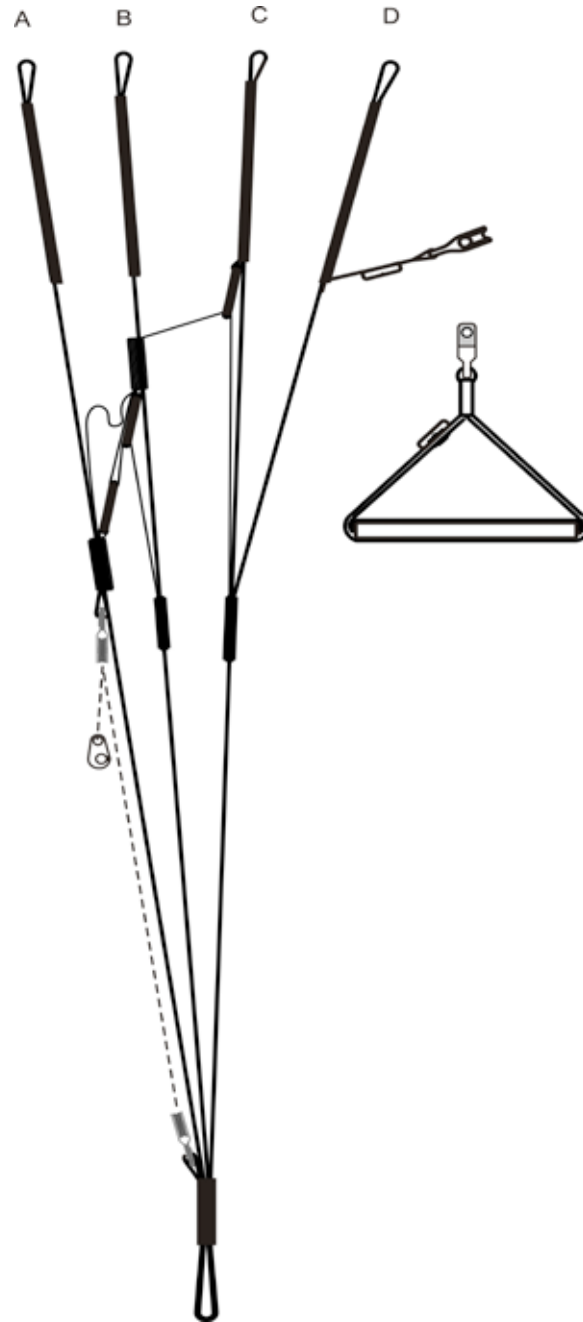
ARTIK 2		23	25	27	29	
CELLS	NUMBER	60	60	60	60	
	CLOSED	8	8	8	8	
	BOX	31	31	31	31	
FLAT	AREA	M2	23	25	27	29,5
	SPAN	M	11,55	12,04	12,51	13,08
	ASPECT RATIO		5,8	5,8	5,8	5,8
PROJECTED	AREA	M2	19,57	21,25	22,93	25,02
	SPAN	M	9,26	9,43	9,78	10,22
	ASPECT RATIO		4,19	4,19	4,19	4,19
FLATTENING		%	15	15	15	15
CORD	MAXIMUM	M	2,5	2,61	2,71	2,83
	MINIMUM	M	0,53	0,55	0,57	0,59
	AVERAGE		1,99	2,07	2,15	2,25
LINES	TOTAL METERS	M	285	298	309	323
	HEIGHT	M	6,82	7,11	7,39	7,72
	NUMBER		224	224	224	224
	MAIN		3/3/4/1	3/3/4/1	3/3/4/1	3/3/4/1
RISERS	NUMBER	4	A/B/C/D	A/B/C/D	A/B/C/D	A/B/C/D
	TRIMS		NO	NO	NO	NO
TOTAL WEIGHT	MINIMUM	KG	60	75	90	105
IN FLIGHT	MAXIMUM	KG	80	95	110	130
GLIDER WEIGHT		KG	5,3	5,6	5,8	6,2
CERTIFICATION	EN		C	C	C	C
	LTF		2	2	2	2

TECHNICAL DATA

CANOPY	FABRIC CODE	SUPPLIER
UPPER SURFACE	SKYTEX 40 9017 E77	NCV (FRANCE)
BOTTOM SURFACE	SKYTEX 40 9017 E38	NCV (FRANCE)
PROFILES	SKYTEX 40 9017 E29	NCV (FRANCE)
DIAGONALS	SKYTEX 40 9017 E29	NCV (FRANCE)
LOOPS	LKI - 10	KOLON INDUSTRIAL (KOREA)
REINFORCEMENT LOOPS	W-420	D-P (GERMANY)
TRAILING EDGE REINFORCEMENT	MYLAR 25 M/M	D-P (GERMANY)
RIBS REINFORCEMENTS	W-420	D-P (GERMANY)
THREAD	SERAFIL 40	AMAN (GERMANY)
SUSPENSION LINES	FABRIC CODE	SUPPLIER
UPPER CASCADES	DC - 60	LIROS (GERMANY)
MIDDLE CASCADES	TNL - 80	TEIJIN LIMITED (JAPAN)
MIDDLE CASCADES	TNL - 140	TEIJIN LIMITED (JAPAN)
MAIN	TNL - 80	TEIJIN LIMITED (JAPAN)
MAIN	TNL - 140	TEIJIN LIMITED (JAPAN)
MAIN	TNL - 220	TEIJIN LIMITED (JAPAN)
MAIN BREAK	TNL - 220	TEIJIN LIMITED (JAPAN)
THREAD	SERAFIL 60	AMAN (GERMANY)
RISERS	FABRIC CODE	SUPPLIER
MATERIAL	3455	COUSIN TRESTREC (FRANCE)
COLOR INDICATOR	PAD	TECHNI SANGLES (FRANCE)
THREAD	N/F-66	YOUNG CHANG T&C LTD
MAILLONS	MRDI03.5 S12	PEGUET (FRANCE)
PULLEYS	224	HARKEN (USA)

SUSPENSION PLAN





COLORS TECHNICAL DATA

CARON	1	ORANGE	TOP COLOR	REF: 744
	4	ORANGE	BOTTOM COLOR	REF: 744
	2	DARK RED	HORN	REF: 615
	3	WHITE	SHADOW	REF: 001



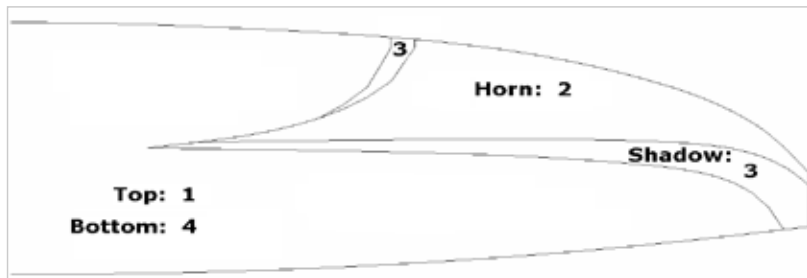
LAGOON	1	DEEP BLUE	TOP COLOR	REF: 354
	4	DEEP BLUE	BOTTOM COLOR	REF: 354
	2	WHITE	HORN	REF: 001
	3	GOLD	SHADOW	REF: 940



SKATE	1	DRAGON RED	TOP COLOR	REF: 636
	4	DRAGON RED	BOTTOM COLOR	REF: 636
	2	BLACK	HORN	REF: 012
	3	WHITE	SHADOW	REF: 001



RETRO	1	GREEN	TOP COLOR	REF: 551
	4	GREEN	BOTTOM COLOR	REF: 551
	2	WHITE	HORN	REF: 001
	3	BLACK	SHADOW	REF: 012



WING LOAD TECHNICAL DATA

ARTIK 2 23		25		27		29,5	
P.T.V.	KG/M2	P.T.V.	KG/M2	P.T.V.	KG/M2	P.T.V.	KG/M2
60 =	2,61	75 =	3	90 =	3,33	105 =	3,56
61 =	2,65	76 =	3,04	91 =	3,37	106 =	3,59
62 =	2,70	77 =	3,08	92 =	3,41	107 =	3,63
63 =	2,74	78 =	3,12	93 =	3,44	108 =	3,66
64 =	2,78	79 =	3,16	94 =	3,48	109 =	3,69
65 =	2,83	80 =	3,20	95 =	3,52	110 =	3,73
66 =	2,87	81 =	3,24	96 =	3,56	111 =	3,76
67 =	2,91	82 =	3,28	97 =	3,59	112 =	3,80
68 =	2,96	83 =	3,32	98 =	3,63	113 =	3,83
69 =	3	84 =	3,36	99 =	3,67	114 =	3,86
70 =	3,04	85 =	3,40	100 =	3,70	115 =	3,90
71 =	3,09	86 =	3,44	101 =	3,74	116 =	3,93
72 =	3,13	87 =	3,48	102 =	3,78	117 =	3,97
73 =	3,17	88 =	3,52	103 =	3,81	118 =	4
74 =	3,22	89 =	3,56	104 =	3,85	119 =	4,03
75 =	3,26	90 =	3,60	105 =	3,89	120 =	4,07
76 =	3,30	91 =	3,64	106 =	3,93	121 =	4,10
77 =	3,35	92 =	3,68	107 =	3,96	122 =	4,14
78 =	3,39	93 =	3,72	108 =	4	123 =	4,17
79 =	3,43	94 =	3,76	109 =	4,04	124 =	4,20
80 =	3,48	95 =	3,80	110 =	4,07	125 =	4,24
						126 =	4,27
						127 =	4,31
						128 =	4,34
						129 =	4,37
						130 =	4,41

LINES TECHNICAL DATA

ARTIK 2 23

REF.	CODE	CM.	REF.	CODE	CM.	REF.	CODE	CM.	REF.	CODE	CM.	REF.	CODE	CM.
A			B			C			D			BRAKE		
A1	DC-060-WHT	30	B1	DC-060-WHT	30	C1	DC-060-WHT	30	D1	DC-060-WHT	31	BR3	DC-060-WHT	93
A2	DC-060-WHT	26	B2	DC-060-WHT	25,5	C2	DC-060-WHT	25	D2	DC-060-WHT	22,5	BR5	DC-060-WHT	73
A5	DC-060-WHT	27,5	B5	DC-060-WHT	27,5	C5	DC-060-WHT	27	D5	DC-060-WHT	27	BR7	DC-060-WHT	92,5
A6	DC-060-WHT	29	B6	DC-060-WHT	29	C6	DC-060-WHT	29,5	D6	DC-060-WHT	29,5	BR9	DC-060-WHT	84,5
A9	DC-060-WHT	29,5	B9	DC-060-WHT	29,5	C9	DC-060-WHT	29,5	D9	DC-060-WHT	29,5	BR12	DC-060-WHT	85
A10	DC-060-WHT	25	B10	DC-060-WHT	25	C10	DC-060-WHT	24,5	D10	DC-060-WHT	25	BR14	DC-060-WHT	75,5
A13	DC-060-WHT	26,5	B13	DC-060-WHT	26	C13	DC-060-WHT	25,5	D13	DC-060-WHT	22,5	BR16	DC-060-WHT	75,5
A14	DC-060-WHT	27,5	B14	DC-060-WHT	27,5	C14	DC-060-WHT	28	D14	DC-060-WHT	29	BR18	DC-060-WHT	79,5
A17	DC-060-WHT	27,5	B17	DC-060-WHT	26,5	C17	DC-060-WHT	27				BR21	DC-060-WHT	86,5
A18	DC-060-WHT	23,5	B18	DC-060-WHT	23	C18	DC-060-WHT	22,5				BR23	DC-060-WHT	80
A21	DC-060-WHT	25,5	B21	DC-060-WHT	24,5	C21	DC-060-WHT	24				BR25	DC-060-WHT	82
A22	DC-060-WHT	23	B22	DC-060-WHT	22	C22	DC-060-WHT	22				BR29	TNL-080-RED	195,5
A25	DC-060-WHT	23,5	B25	DC-060-WHT	21,5	C25	DC-060-WHT	20						
A26	DC-060-WHT	22	B26	DC-060-WHT	20	C26	DC-060-WHT	19						
A28	DC-060-WHT	102	B28	DC-060-WHT	100,5	C28	DC-060-WHT	105						
A30	DC-060-WHT	96,5	B30	DC-060-WHT	97,5	C30	DC-060-WHT	102,5						
2 A1	TNL-140-YLW	185,5	2 B1	TNL-140-BLU	184	2 C1	TNL-140-BLU	144,5	2 D1	TNL-080-BLU	108	2 BR1	TNL-080-RED	118,5
2 A2	TNL-140-YLW	178,5	2 B2	TNL-140-BLU	177,5	2 C2	TNL-140-BLU	138	2 D2	TNL-080-BLU	93,5	2 BR2	TNL-080-RED	82,5
2 A3	TNL-140-YLW	179,5	2 B3	TNL-140-BLU	177,5	2 C3	TNL-140-BLU	138,5	2 D3	TNL-080-BLU	94,5	2 BR3	TNL-080-RED	96
2 A4	TNL-140-YLW	172,5	2 B4	TNL-140-BLU	172	2 C4	TNL-140-BLU	133	2 D4	TNL-080-BLU	101	2 BR4	TNL-080-RED	92,5
2 A5	TNL-080-YLW	267,5	2 B5	TNL-080-BLU	255	2 C5	TNL-080-BLU	213,5				2 BR5	TNL-080-RED	131
2 A6	TNL-080-YLW	253,5	2 B6	TNL-080-BLU	243	2 C6	TNL-080-BLU	200,5	2STB1	TNL-080-RED	82			
2 A7	TNL-080-YLW	243	2 B7	TNL-080-BLU	234,5	2 C7	TNL-080-BLU	194,5	2STB2	TNL-080-RED	75			
3 A1	TNL-220-YLW	465,5	3 B1	TNL-220-BLU	458,5	3 C1	TNL-220-BLU	502	3 D1	TNL-140-BLU	235	3 BR1	TNL-080-RED	275
3 A2	TNL-220-YLW	457	3 B2	TNL-220-BLU	452,5	3 C2	TNL-220-BLU	494	3 D2	TNL-140-BLU	228	3 BR2	TNL-080-RED	240,5
3 A3	TNL-140-YLW	351,5	3 B3	TNL-140-BLU	361	3 C3	TNL-140-BLU	408				3 BR3	TNL-080-RED	186,5
						STB	TNL-080-RED	406	4 D1	TNL-220-BLU	323	4 BR1	TNL-220-RED	285
													POINT AT:	265

LINES TECHNICAL DATA

ARTIK 2			25											
REF.	CODE	CM.	REF.	CODE	CM.	REF.	CODE	CM.	REF.	CODE	CM.	REF.	CODE	CM.
A			B			C			D			BRAKE		
A1	DC-060-WHT	31	B1	DC-060-WHT	31	C1	DC-060-WHT	31,5	D1	DC-060-WHT	32	BR3	DC-060-WHT	97
A2	DC-060-WHT	27	B2	DC-060-WHT	27	C2	DC-060-WHT	26	D2	DC-060-WHT	23,5	BR5	DC-060-WHT	76,5
A5	DC-060-WHT	29	B5	DC-060-WHT	28,5	C5	DC-060-WHT	28	D5	DC-060-WHT	28	BR7	DC-060-WHT	96,5
A6	DC-060-WHT	30	B6	DC-060-WHT	30	C6	DC-060-WHT	30,5	D6	DC-060-WHT	31	BR9	DC-060-WHT	88
A9	DC-060-WHT	31	B9	DC-060-WHT	30,5	C9	DC-060-WHT	31	D9	DC-060-WHT	31	BR12	DC-060-WHT	89
A10	DC-060-WHT	26	B10	DC-060-WHT	26	C10	DC-060-WHT	25,5	D10	DC-060-WHT	26	BR14	DC-060-WHT	78,5
A13	DC-060-WHT	27,5	B13	DC-060-WHT	27	C13	DC-060-WHT	26,5	D13	DC-060-WHT	23,5	BR16	DC-060-WHT	79
A14	DC-060-WHT	28,5	B14	DC-060-WHT	28,5	C14	DC-060-WHT	29	D14	DC-060-WHT	30	BR18	DC-060-WHT	82,5
A17	DC-060-WHT	28,5	B17	DC-060-WHT	28	C17	DC-060-WHT	28				BR21	DC-060-WHT	90
A18	DC-060-WHT	24,5	B18	DC-060-WHT	24	C18	DC-060-WHT	23,5				BR23	DC-060-WHT	83,5
A21	DC-060-WHT	26,5	B21	DC-060-WHT	25,5	C21	DC-060-WHT	25				BR25	DC-060-WHT	85,5
A22	DC-060-WHT	24	B22	DC-060-WHT	23	C22	DC-060-WHT	22,5				BR29	TNL-080-RED	204
A25	DC-060-WHT	24,5	B25	DC-060-WHT	22,5	C25	DC-060-WHT	21						
A26	DC-060-WHT	23	B26	DC-060-WHT	21	C26	DC-060-WHT	20						
A28	DC-060-WHT	106,5	B28	DC-060-WHT	104,5	C28	DC-060-WHT	109,5						
A30	DC-060-WHT	101	B30	DC-060-WHT	101,5	C30	DC-060-WHT	106,5						
2 A1	TNL-140-YLW	193	2 B1	TNL-140-BLU	192	2 C1	TNL-140-BLU	150,5	2 D1	TNL-080-BLU	113	2 BR1	TNL-080-RED	123,5
2 A2	TNL-140-YLW	186	2 B2	TNL-140-BLU	185	2 C2	TNL-140-BLU	144	2 D2	TNL-080-BLU	97,5	2 BR2	TNL-080-RED	86
2 A3	TNL-140-YLW	187,5	2 B3	TNL-140-BLU	185	2 C3	TNL-140-BLU	144,5	2 D3	TNL-080-BLU	98,5	2 BR3	TNL-080-RED	100
2 A4	TNL-140-YLW	179,5	2 B4	TNL-140-BLU	179,5	2 C4	TNL-140-BLU	139	2 D4	TNL-080-BLU	105,5	2 BR4	TNL-080-RED	96,5
2 A5	TNL-080-YLW	279	2 B5	TNL-080-BLU	265,5	2 C5	TNL-080-BLU	222,5				2 BR5	TNL-080-RED	136,5
2 A6	TNL-080-YLW	264,5	2 B6	TNL-080-BLU	253	2 C6	TNL-080-BLU	209	2STB1	TNL-080-RED	85			
2 A7	TNL-080-YLW	253,5	2 B7	TNL-080-BLU	244,5	2 C7	TNL-080-BLU	202,5	2STB2	TNL-080-RED	77,5			
3 A1	TNL-220-YLW	485,5	3 B1	TNL-220-BLU	478	3 C1	TNL-220-BLU	523,5	3 D1	TNL-140-BLU	245	3 BR1	TNL-080-RED	286,5
3 A2	TNL-220-YLW	476,5	3 B2	TNL-220-BLU	471,5	3 C2	TNL-220-BLU	515	3 D2	TNL-140-BLU	237,5	3 BR2	TNL-080-RED	250,5
3 A3	TNL-140-YLW	366,5	3 B3	TNL-140-BLU	376	3 C3	TNL-140-BLU	425,5				3 BR3	TNL-080-RED	194
						STB	TNL-080-RED	424	4 D1	TNL-220-BLU	336,5	4 BR1	TNL-220-RED	293,5
													POINT AT:	273,5

LINES TECHNICAL DATA

ARTIK 2 27

REF.	CODE	CM.	REF.	CODE	CM.	REF.	CODE	CM.	REF.	CODE	CM.	REF.	CODE	CM.
A			B			C			D			BRAKE		
A1	DC-060-WHT	32,5	B1	DC-060-WHT	32	C1	DC-060-WHT	32,5	D1	DC-060-WHT	33,5	BR3	DC-060-WHT	101
A2	DC-060-WHT	28	B2	DC-060-WHT	28	C2	DC-060-WHT	27,5	D2	DC-060-WHT	24,5	BR5	DC-060-WHT	79,5
A5	DC-060-WHT	30	B5	DC-060-WHT	29,5	C5	DC-060-WHT	29	D5	DC-060-WHT	29	BR7	DC-060-WHT	100,5
A6	DC-060-WHT	31,5	B6	DC-060-WHT	31	C6	DC-060-WHT	32	D6	DC-060-WHT	32	BR9	DC-060-WHT	91,5
A9	DC-060-WHT	32	B9	DC-060-WHT	31,5	C9	DC-060-WHT	32	D9	DC-060-WHT	32	BR12	DC-060-WHT	92,5
A10	DC-060-WHT	27,5	B10	DC-060-WHT	27	C10	DC-060-WHT	26,5	D10	DC-060-WHT	27,5	BR14	DC-060-WHT	81,5
A13	DC-060-WHT	28,5	B13	DC-060-WHT	28	C13	DC-060-WHT	27,5	D13	DC-060-WHT	24,5	BR16	DC-060-WHT	82
A14	DC-060-WHT	30	B14	DC-060-WHT	29,5	C14	DC-060-WHT	30	D14	DC-060-WHT	31,5	BR18	DC-060-WHT	86
A17	DC-060-WHT	29,5	B17	DC-060-WHT	29	C17	DC-060-WHT	29				BR21	DC-060-WHT	93,5
A18	DC-060-WHT	25,5	B18	DC-060-WHT	25	C18	DC-060-WHT	24,5				BR23	DC-060-WHT	87
A21	DC-060-WHT	27,5	B21	DC-060-WHT	26,5	C21	DC-060-WHT	26				BR25	DC-060-WHT	89
A22	DC-060-WHT	25	B22	DC-060-WHT	24	C22	DC-060-WHT	23,5				BR29	TNL-080-RED	212
A25	DC-060-WHT	25,5	B25	DC-060-WHT	23,5	C25	DC-060-WHT	22						
A26	DC-060-WHT	24	B26	DC-060-WHT	21,5	C26	DC-060-WHT	21						
A28	DC-060-WHT	110,5	B28	DC-060-WHT	109	C28	DC-060-WHT	113,5						
A30	DC-060-WHT	104,5	B30	DC-060-WHT	105,5	C30	DC-060-WHT	111						
2 A1	TNL-140-YLW	201	2 B1	TNL-140-BLU	199,5	2 C1	TNL-140-BLU	156,5	2 D1	TNL-080-BLU	117	2 BR1	TNL-080-RED	128,5
2 A2	TNL-140-YLW	193,5	2 B2	TNL-140-BLU	192,5	2 C2	TNL-140-BLU	149,5	2 D2	TNL-080-BLU	101	2 BR2	TNL-080-RED	89,5
2 A3	TNL-140-YLW	194,5	2 B3	TNL-140-BLU	192,5	2 C3	TNL-140-BLU	150	2 D3	TNL-080-BLU	102,5	2 BR3	TNL-080-RED	104
2 A4	TNL-140-YLW	186,5	2 B4	TNL-140-BLU	186,5	2 C4	TNL-140-BLU	144,5	2 D4	TNL-080-BLU	109,5	2 BR4	TNL-080-RED	100,5
2 A5	TNL-080-YLW	290	2 B5	TNL-080-BLU	276	2 C5	TNL-080-BLU	231,5				2 BR5	TNL-080-RED	142
2 A6	TNL-080-YLW	274,5	2 B6	TNL-080-BLU	263	2 C6	TNL-080-BLU	217	2STB1	TNL-080-RED	89			
2 A7	TNL-080-YLW	263,5	2 B7	TNL-080-BLU	254	2 C7	TNL-080-BLU	210,5	2STB2	TNL-080-RED	81,5			
3 A1	TNL-220-YLW	504,5	3 B1	TNL-220-BLU	497	3 C1	TNL-220-BLU	544	3 D1	TNL-140-BLU	254,5	3 BR1	TNL-080-RED	297,5
3 A2	TNL-220-YLW	495,5	3 B2	TNL-220-BLU	490	3 C2	TNL-220-BLU	535,5	3 D2	TNL-140-BLU	246,5	3 BR2	TNL-080-RED	260,5
3 A3	TNL-140-YLW	380,5	3 B3	TNL-140-BLU	391	3 C3	TNL-140-BLU	442				3 BR3	TNL-080-RED	201,5
						STB	TNL-080-RED	440	4 D1	TNL-220-BLU	349,5	4 BR1	TNL-220-RED	304,5
													POINT AT:	284,5

LINES TECHNICAL DATA

ARTIK 2 29

REF.	CODE	CM.	REF.	CODE	CM.	REF.	CODE	CM.	REF.	CODE	CM.	REF.	CODE	CM.
A			B			C			D			BRAKE		
A1	DC-060-WHT	34	B1	DC-060-WHT	33,5	C1	DC-060-WHT	34	D1	DC-060-WHT	35	BR3	DC-060-WHT	105,5
A2	DC-060-WHT	29,5	B2	DC-060-WHT	29	C2	DC-060-WHT	28,5	D2	DC-060-WHT	25,5	BR5	DC-060-WHT	83
A5	DC-060-WHT	31	B5	DC-060-WHT	31	C5	DC-060-WHT	30,5	D5	DC-060-WHT	30,5	BR7	DC-060-WHT	105
A6	DC-060-WHT	32,5	B6	DC-060-WHT	32,5	C6	DC-060-WHT	33,5	D6	DC-060-WHT	33,5	BR9	DC-060-WHT	95,5
A9	DC-060-WHT	33,5	B9	DC-060-WHT	33	C9	DC-060-WHT	33,5	D9	DC-060-WHT	33,5	BR12	DC-060-WHT	96,5
A10	DC-060-WHT	28,5	B10	DC-060-WHT	28,5	C10	DC-060-WHT	27,5	D10	DC-060-WHT	28,5	BR14	DC-060-WHT	85,5
A13	DC-060-WHT	30	B13	DC-060-WHT	29,5	C13	DC-060-WHT	28,5	D13	DC-060-WHT	25,5	BR16	DC-060-WHT	85,5
A14	DC-060-WHT	31	B14	DC-060-WHT	31	C14	DC-060-WHT	31,5	D14	DC-060-WHT	33	BR18	DC-060-WHT	90
A17	DC-060-WHT	31	B17	DC-060-WHT	30,5	C17	DC-060-WHT	30,5				BR21	DC-060-WHT	98
A18	DC-060-WHT	26,5	B18	DC-060-WHT	26	C18	DC-060-WHT	25,5				BR23	DC-060-WHT	91
A21	DC-060-WHT	29	B21	DC-060-WHT	27,5	C21	DC-060-WHT	27				BR25	DC-060-WHT	93
A22	DC-060-WHT	26	B22	DC-060-WHT	25	C22	DC-060-WHT	24,5				BR29	TNL-080-RED	222
A25	DC-060-WHT	26,5	B25	DC-060-WHT	24,5	C25	DC-060-WHT	23						
A26	DC-060-WHT	25	B26	DC-060-WHT	22,5	C26	DC-060-WHT	22						
A28	DC-060-WHT	115,5	B28	DC-060-WHT	113,5	C28	DC-060-WHT	118,5						
A30	DC-060-WHT	109	B30	DC-060-WHT	110	C30	DC-060-WHT	115,5						
2 A1	TNL-140-YLW	210	2 B1	TNL-140-BLU	208,5	2 C1	TNL-140-BLU	163,5	2 D1	TNL-080-BLU	122,5	2 BR1	TNL-080-RED	134,5
2 A2	TNL-140-YLW	202	2 B2	TNL-140-BLU	201	2 C2	TNL-140-BLU	156,5	2 D2	TNL-080-BLU	105,5	2 BR2	TNL-080-RED	93,5
2 A3	TNL-140-YLW	203,5	2 B3	TNL-140-BLU	201	2 C3	TNL-140-BLU	157	2 D3	TNL-080-BLU	107	2 BR3	TNL-080-RED	108,5
2 A4	TNL-140-YLW	195	2 B4	TNL-140-BLU	195	2 C4	TNL-140-BLU	151	2 D4	TNL-080-BLU	114,5	2 BR4	TNL-080-RED	105
2 A5	TNL-080-YLW	303	2 B5	TNL-080-BLU	288,5	2 C5	TNL-080-BLU	242				2 BR5	TNL-080-RED	148,5
2 A6	TNL-080-YLW	287	2 B6	TNL-080-BLU	275	2 C6	TNL-080-BLU	227	2STB1	TNL-080-RED	93			
2 A7	TNL-080-YLW	275,5	2 B7	TNL-080-BLU	265,5	2 C7	TNL-080-BLU	220	2STB2	TNL-080-RED	85,5			
3 A1	TNL-220-YLW	527,5	3 B1	TNL-220-BLU	519,5	3 C1	TNL-220-BLU	568,5	3 D1	TNL-140-BLU	266,5	3 BR1	TNL-080-RED	311
3 A2	TNL-220-YLW	518	3 B2	TNL-220-BLU	512,5	3 C2	TNL-220-BLU	560	3 D2	TNL-140-BLU	258	3 BR2	TNL-080-RED	272
3 A3	TNL-140-YLW	398	3 B3	TNL-140-BLU	409	3 C3	TNL-140-BLU	462,5				3 BR3	TNL-080-RED	210,5
						STB	TNL-080-RED	460	4 D1	TNL-220-BLU	366	4 BR1	TNL-220-RED	317
													POINT AT:	297

NIVIUK ARTIK 2 23

LINES HEIGHT CM.					
	A	B	C	D	BR
1	682	673,5	676,5	694	761,5
2	678	669	671,5	685,5	741,5
3	672,5	664,5	667	675,5	725
4	674	666	669,5	678,5	717
5	666	659,5	662	672	696,5
6	661,5	655	657	667,5	687
7	656	650,5	652,5	671,5	683,5
8	657	652	655	678	687,5
9	646,5	642,5	648,5		679
10	642,5	639	644		672,5
11	630,5	628,5	632,5		674,5
12	628	626	630,5		657
13	618	617	622,5		
14	616,5	615,5	621,5		
15	590	588,5	593		
16	577,5	578,5	583,5		

RISERS LENGTH CM.					
	A	B	C	D	
	49	49	49	49	STANDARD
	31	34,5	43	49	ACCELERATED

NIVIUK ARTIK 2 25

LINES HEIGHT CM.					
	A	B	C	D	BR
1	706	697,5	701	719,5	786,5
2	702	693,5	695,5	711	766
3	697	688	691	700	748,5
4	698	689,5	693,5	703	740
5	690,5	682,5	686	696,5	719
6	685,5	678	680,5	691,5	708,5
7	679	673,5	676	696	705,5
8	680	675	678,5	702,5	709
9	669,5	665	671,5		700
10	665,5	661	667		693,5
11	653	650	655		695,5
12	650,5	647,5	652,5		677,5
13	640	638,5	644,5		
14	638,5	637	643,5		
15	611	609	614		
16	598	598,5	603,5		

RISERS LENGTH CM.					
	A	B	C	D	
	49	49	49	49	STANDARD
	31	34,5	43	49	ACCELERATED

NIVIUK ARTIK 2 27

LINES HEIGHT CM.					
	A	B	C	D	BR
1	734,5	725	728,5	747,5	819
2	730	721	723,5	738,5	797,5
3	724,5	715,5	718,5	727	779,5
4	726	717	721	730	770,5
5	717,5	709,5	713	723,5	749
6	713	705	707,5	719	738
7	706	700	703	723	735
8	707,5	701,5	705,5	730	739
9	695,5	691,5	698		729
10	691,5	687,5	693,2		722,5
11	678	676	680,5		724,5
12	675,5	673,5	678		705,5
13	665	664	670		
14	663,5	662	669		
15	635	633,5	638		
16	621,5	622,5	628		

RISERS LENGTH CM.					
	A	B	C	D	
	49	49	49	49	STANDARD
	31	34,5	43	49	ACCELERATED

NIVIUK ARTIK 2 29

LINES HEIGHT CM.					
	A	B	C	D	BR
1	772,5	762,5	766	786,5	860
2	768,5	758	760,5	777	837,5
3	761,5	752,5	755,5	765	818,5
4	763	754	758,5	768	809
5	755	746,5	750,5	761	786
6	750	742	744,5	756	775
7	743	737	739,5	760,5	771,5
8	744	738,5	742,5	768	776
9	732	728	735		766
10	727,5	723,5	730		759
11	714	711,5	716,5		761
12	711	709	714		741,5
13	700	699	705,5		
14	698,5	697	704,5		
15	668,5	666,5	671,5		
16	654,5	655,5	661		

RISERS LENGTH CM.					
	A	B	C	D	
	49	49	49	49	STANDARD
	31	34,5	43	49	ACCELERATED

FABRIC TECHNICAL DATA UPPER SURFACE

DESCRIPTION

SKYTEX 40 CLASSIC	REF. : F09017 - E38
FABRIC	9017
TYPE OF FINISH	SIDE COATED (POLYURETHANE)
TYPE OF YARN	POLYAMIDE 6.6 HIGH TENACITY - 33 DTEX
WIDTH	158 CM
PATTERN	RIP STOP

TECHNICAL SPECIFICATIONS

COATED FABRIC'S WEIGHT	G/SQM	ISO 2286-2	40 +/- 2
TEAR STRENGTH - WARP	DAN	ISO 4674	1,5 MINI
TEAR STRENGTH - WEFT	DAN	ISO 4674	1,5 MINI
ELONGATION ON BIAS 3 LBS	% INTERNAL METHOD NCV 044		8 MAX
ELONGATION ON BIAS 5 LBS	% INTERNAL METHOD NCV 044		16,5 MAX
ELONGATION ON BIAS 10 LBS	% INTERNAL METHOD NCV 044		28 MAX
BREAK STRENGTH	DAN	ISO 1421	38 MINI
WARP DIRECTION			
BREAK STRENGTH WEFT DIRECTION	DAN	ISO 1421	33 MINI
AIR POROSITY	1/SQM/MN	2000 PA	40 MAX
	* UNDER	100CM2	
	SURFACE		

TECHNICAL SPECIFICATIONS COLOR

DEEP BLUE	REF. 354	UV 5-6
GREEN	REF. 551	UV 5
GOLD	REF. 939	UV 5-6
SUNFLOWER	REF. 921	UV 5-6
ORANGE	REF. 744	UV 5
DRAGON RED	REF. 636	UV 5-6
WHITE	REF. 001	UV 4
GREY	REF. 120	UV 5
DARK GREY	REF. 121	UV 5-6
BLACK	REF. 102	UV 5-6
DARK RED	REF. 615	UV 5

FABRIC TECHNICAL DATA BOTTOM SURFACE

DESCRIPTION

SKYTEX 40 REPELLANT	REF. : F09017 - E77A
FABRIC	9017
TYPE OF FINISH	SIDE COATED (POLYURETHANE)
TYPE OF YARN	POLYAMIDE 6.6 HIGH TENACITY - 33 DTEX
WIDTH	158 CM
PATTERN	RIP STOP

TECHNICAL SPECIFICATIONS

COATED FABRIC'S WEIGHT	G/SQM	ISO 2286-2	40 +/- 2
TEAR STRENGTH - WARP	DAN	ISO 4674	1,5 MINI
TEAR STRENGTH - WEFT	DAN	ISO 4674	1,5 MINI
ELONGATION ON BIAS 3 LBS	% INTERNAL METHOD NCV 044		8 MAX
ELONGATION ON BIAS 5 LBS	% INTERNAL METHOD NCV 044		16,5 MAX
ELONGATION ON BIAS 10 LBS	% INTERNAL METHOD NCV 044		28 MAX
BREAK STRENGTH	DAN	ISO 1421	38 MINI
WARP DIRECTION			
BREAK STRENGTH WEFT DIRECTION	DAN	ISO 1421	33 MINI
AIR POROSITY	1/SQM/MN	2000 PA	40 MAX
	* UNDER	100CM2	
	SURFACE		

TECHNICAL SPECIFICATIONS COLOR

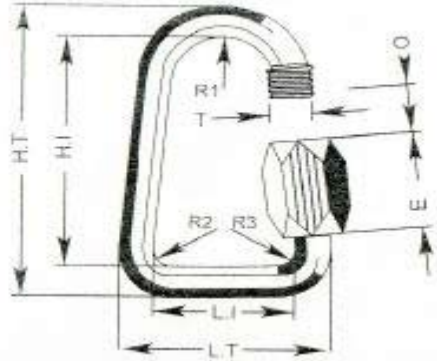
DEEP BLUE	REF. 354	UV 5-6
GREEN	REF. 551	UV 5
GOLD	REF. 939	UV 5-6
SUNFLOWER	REF. 921	UV 5-6
ORANGE	REF. 744	UV 5
DRAGON RED	REF. 636	UV 5-6
WHITE	REF. 001	UV 4
GREY	REF. 120	UV 5
DARK GREY	REF. 121	UV 5-6
BLACK	REF. 102	UV 5-6
DARK RED	REF. 615	UV 5

MAILLON & PULLEY TECHNICAL DATA

DESCRIPTION

MAILLON	DELTA
CODE	MRDI03.0 S10
MATERIAL	STAINLESS STEEL
SIZE	3 M/M
WEIGHT	5 G/PC

TECHNICAL SPECIFICATIONS



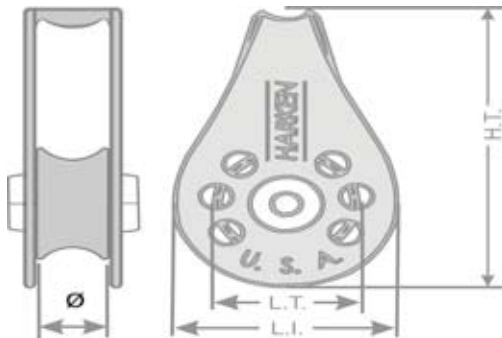
DIMENSIONS	M/M
L.T.	18
L.I.	12
H.T.	29
H.I.	23
O	4
E	9
T	4
LOAD	KG
WORKING LIMIT	110
BREAKING	550

SYSTEMATIC CONTROL OF MAILLON QUICK-LINKS BEFORE EVERY FLIGHT.

PULLEY DESCRIPTION

PULLEY	MICRO
CODE	224
MATERIAL	STAINLESS STEEL
BEARING	DELTRIN®
WEIGHT	14 G/PC

TECHNICAL SPECIFICATIONS



DIMENSIONS	M/M
L.T.	22
L.I.	34
H.T.	38
H.I.	
Ø	6 MAX
LOAD	KG
WORKING LIMIT	91
BREAKING	544

THREAD TECHNICAL DATA

NAME	SERAFIL
N° OF REFERENCE	40
MATERIAL	POLYESTER
TYPE OF FINISH	SILK
LINEAR DENSITY	NM 41 / 3 (DTEX 244 * 3)
BREAKING STRENGTH	4.500 CN
ELONGATION	17,00%

NAME	SERAFIL
N° OF REFERENCE	60
MATERIAL	POLYESTER
TYPE OF FINISH	SILK
LINEAR DENSITY	NM 61 / 3 (DTEX 163 * 3)
BREAKING STRENGTH	3.000 CN
ELONGATION	17,00%

PROPRIETIES SERAFIL

SOLIDITY ARTIFICIAL LIGHT	ISO 105 B02	> 5 - 6
SOLIDITY SWEAT	ISO 105 E04	> 4
SOLIDITY WASHING	ISO 105 C04	> 3
SOLIDITY GRAZE IN DRY	ISO 105 X12	> 4
SOLIDITY WASHING IN DRY	ISO 105 D01	> 3 - 4

TREATMENT WATER REPELLENT	WR
---------------------------	----

NAME	BONDED NYLON
N° OF REFERENCE	N/F-66
MATERIAL	NYLON
TYPE OF FINISH	SILK
LINEAR DENSITY	210D / 6
BREAKING STRENGTH	9,7 KG
ELONGATION	25/30%

RISERS TECHNICAL DATA**RISERS**

N° OF REFERENCE	3455
MATERIAL	POLYESTER & TECHNORA
WIDTH	12 M/M
THICKNESS	0,9 M/M
BREAKING STRENGTH	1078 DAN
ELONGATION	-
WEIGHT	9,1 G/M
COLOR	BLACK

COLOR INDICATOR

N° OF REFERENCE	IC-G 1-2
MATERIAL	POLYESTER
WIDTH	70 M/M
THICKNESS	0,80 M/M
BREAKING STRENGTH	130 DN
ELONGATION	35%
WEIGHT	32 G/M

LOOPS

N° OF REFERENCE	LKI - 10
MATERIAL	NYLON
WIDTH	10 M/M
BREAKING STRENGTH	84 KG
ELONGATION	25/35%
WEIGHT	3 G/M
COLOR	WHITE

nIVIUK

niviuk.com

The importance of small details